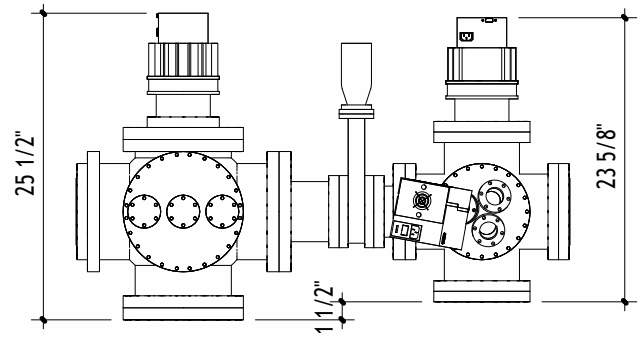
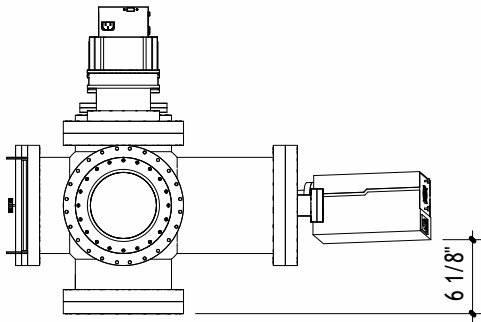


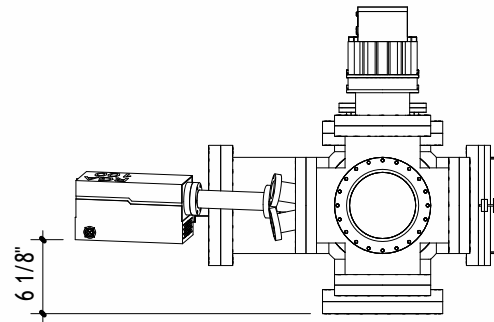
① Elevation View - Back
3/4" = 1'-0"



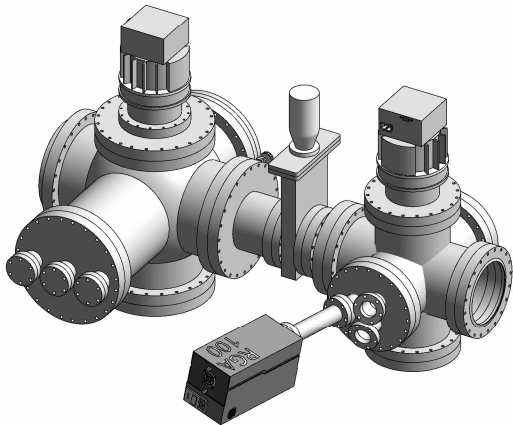
② Elevation View - Front
3/4" = 1'-0"



③ Elevation View - Side - Main Chamber
3/4" = 1'-0"



④ Elevation View - Side - RGA
3/4" = 1'-0"



⑤ 3D View



Richardson Lab

Vacuum Chamber

Project number 001

Date 06-04-2026

Drawn by Mary Ranjbar

Checked by -

C102

Scale 3/4" = 1'-0"