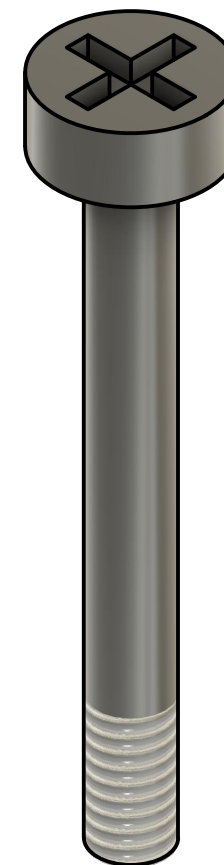
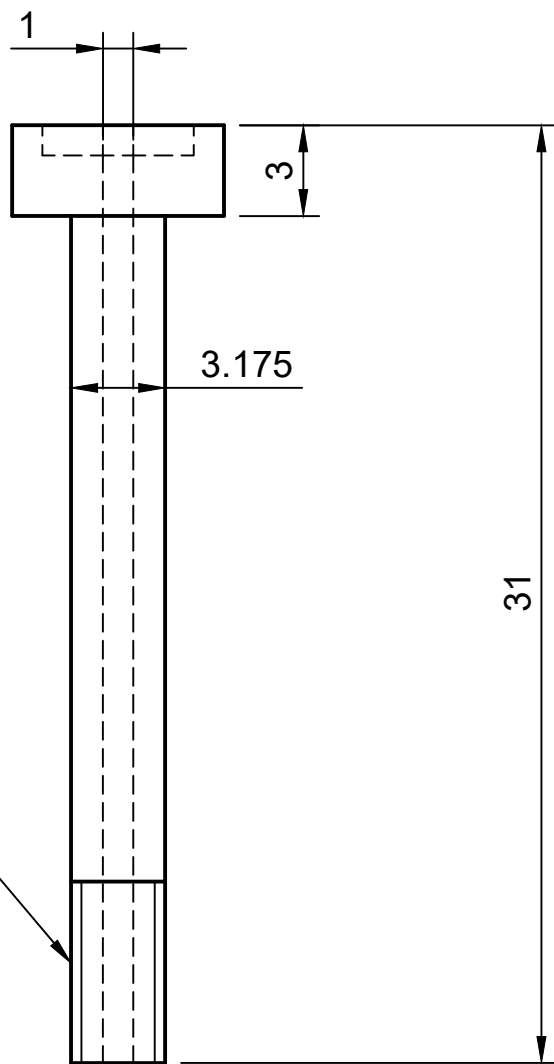
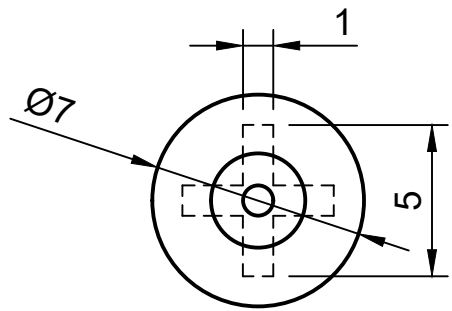


NOTE:  
 1. ALL DIMENSIONS ARE IN mm UNLESS OTHERWISE SPECIFIED.  
 2. ALL DIMENSIONS HAVE A ±0.25mm TOLERANCE.



Dept.	Technical reference	Created by <b>Aiden Wilkin</b>	6/24/2022	Approved by
		Document type	Document status	
		Title <b>LIGO Redesign Macor Screw</b>	DWG No.	
		Rev.	Date of issue	Sheet <b>1/1</b>