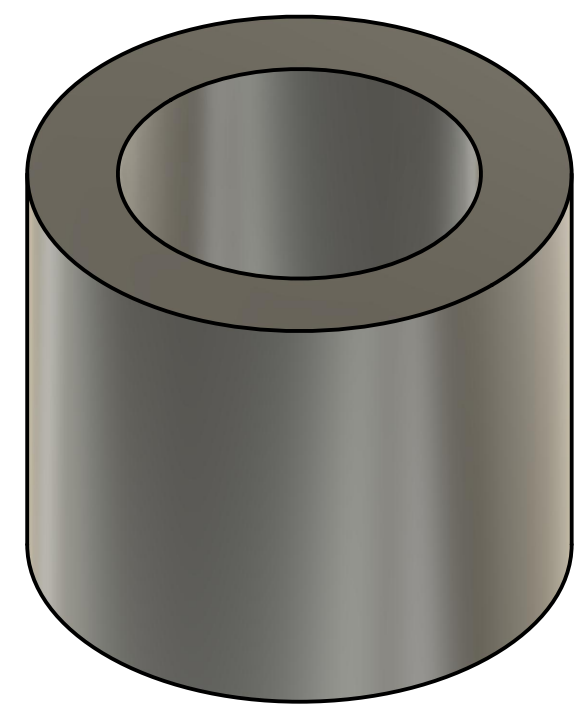
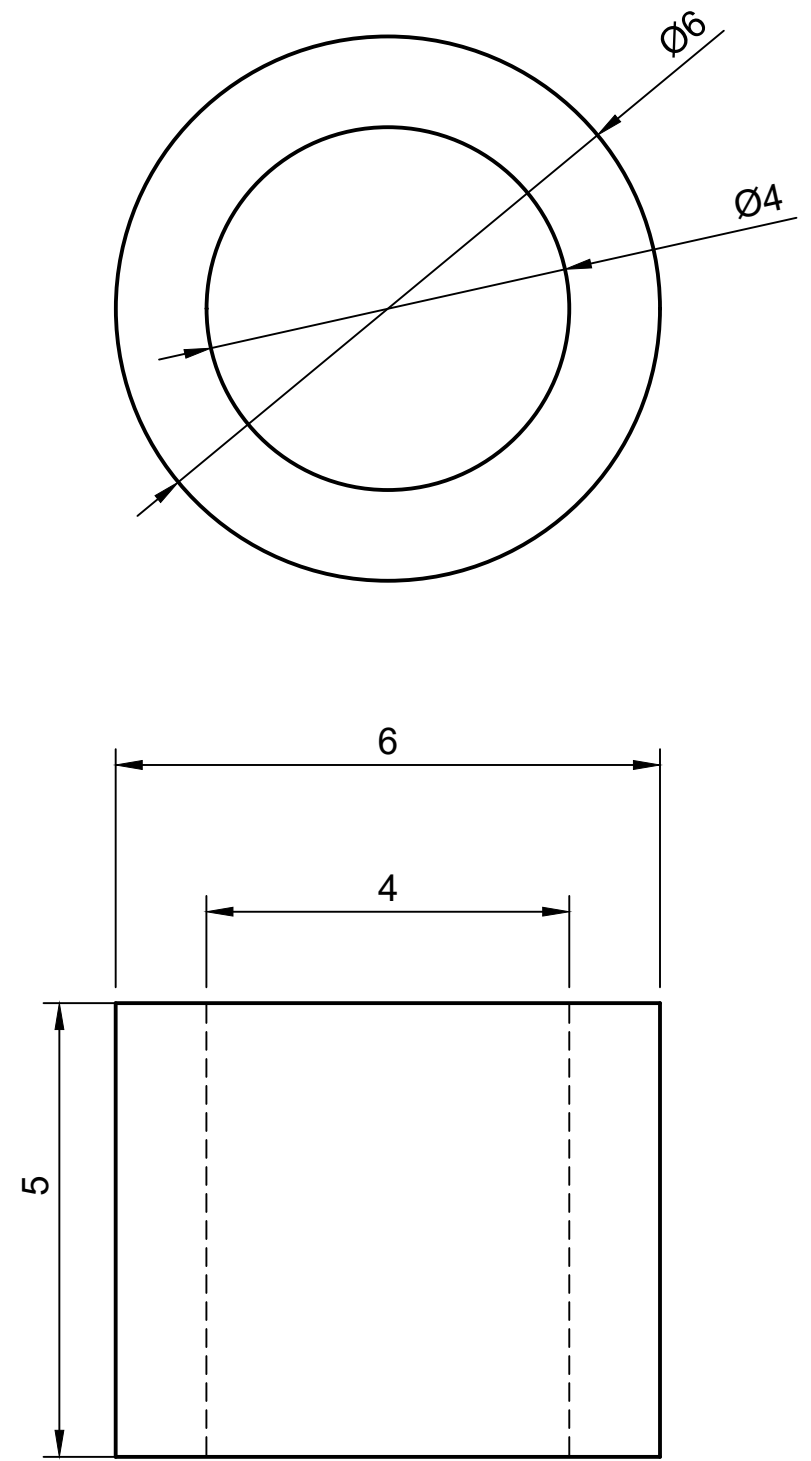


NOTE:
 1. ALL DIMENSIONS ARE IN mm UNLESS OTHERWISE SPECIFIED.
 2. ALL DIMENSIONS HAVE A ±0.25mm TOLERANCE.



Dept.	Technical reference	Created by Aiden Wilkin 6/24/2022	Approved by
		Document type	Document status
		Title LIGO Macor Spacer Redesign	DWG No.
		Rev.	Date of issue
		Sheet 1/1	